

SDC EMLock®

1500 Series

EMLock® 1500 Series

SDC's patented EMLock® design represents the pinnacle of magnetic lock evolution. The modular EMLock® assembly makes them easy to stock, install, upgrade and maintain.

- Modular Design
- Modular Upgrade Kits
- Field Upgradeable without removing from the frame
- Uniform Design & Installation
- Identical Housing, Template & Accessories
- Quick Mount Assembly

SDC 1500 series EMLocks® include a lifetime warranty and are available in 650lbs, 1200lbs, and 1650lbs holding force. Compatible with any access control system, all EMLocks® are adaptable to virtually any application utilizing Top Jamb or Glass Door mounting kits. The epoxy-less design provides a superior appearance with a plated or anodized finish on all sides. The interlocking EZ mount assembly leaves hands free for wiring and securing of mounting screws. EMLocks® are UL Listed and ANSI Grade 1 compliant.

EMLock® EZ Upgrade Kits

Field upgradeable by distributors, installers and maintenance staff. No need to ever remove a lock from the frame to upgrade or exchange internal components.

Upgrade Modules Include:

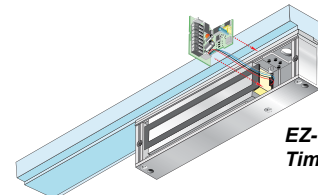
- Relock Delay Timer
- Magnetic Bond Sensor
- Door Status Sensors
- Anti-Tamper Switch
- Holding Force Upgrade
- Energy Saver Upgrade



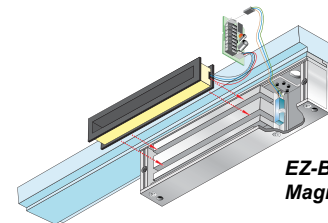
Patented

New Modular Kits

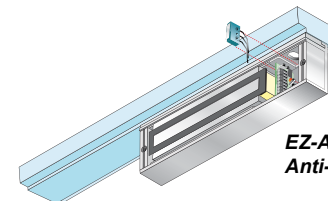
For complete details contact SDC to request the Modular Upgrade Kit datasheet or download from the SDC website: www.sdcsecurity.com/docLibrary.aspx



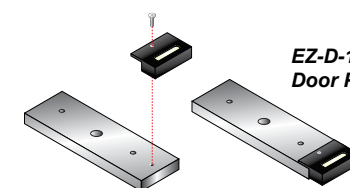
EZ-T-10
Timer Input Module



EZ-B-10
Magnetic Bond Sensor



EZ-A
Anti-Tamper Switch



EZ-D-10
Door Position Sensor



EMLock Models

1510 Series Grade 1 1650 lb / 748 Kg Holding Force



- 1511** Single EMLock®
1512 Double EMLock®
1513 Single, split armature for pair of doors

Specifications

- Voltage:** 12/24VDC Voltage Sensing Input
Single: 350mA @ 24VDC; 670mA @ 12VDC
 11" L x 2.75" H x 1-9/16" D
 (279.4 x 69.9 x 39.7 mm)
Double: 700mA @ 24VDC; 1.34A @ 12VDC
 22" L x 2-3/4" H x 1-9/16" D
 (558.8 x 69.9 x 39.7 mm)

1570 Series Grade 1 1200 lb / 544 Kg Holding Force 3 Watts Energy Saver



- 1571** Single EMLock®
1572 Double EMLock®
1573 Single, split armature for pair of doors

Specifications

- Voltage:** 12/24VDC Voltage Sensing Input
Single: 125mA @ 24VDC; 250mA @ 12VDC
 11" L x 2-3/4" H x 1.562" D
 (279.4 x 69.9 x 39.7 mm)
Double: 250mA @ 24VDC; 500mA @ 12VDC
 22" L x 2-3/4" H x 1-9/16" D
 (558.8 x 69.9 x 39.7 mm)

1580 Series Grade 1 650 lb / 295 Kg Holding Force



- 1581** Single EMLock®
1582 Double EMLock®

Specifications

- Voltage:** 12/24VDC Voltage Sensing Input
Single: 220mA @ 24VDC; 440mA @ 12VDC
 8-3/4" L x 2-1/8" H x 1.25" D
 (222.2 x 54 x 31.8 mm)
Double: 440mA @ 24VDC; 880mA @ 12VDC
 17-1/2" L x 2-1/8" H x 1.25" D
 (444.5 x 54 x 31.8 mm)

Standard Mounting Fasteners

Self Drilling & Tapping Sheet Metal Screws and 10/32 Machine Screws supplied for different application needs. Blind Nut's and Tool are optional.

Listings & Performance Specifications

UL Listed U.S. & Canada: GWXT Auxiliary Locks
 CVXJ Burglary Resistant Electrically Operated Door Lock
UL10C: Position Positive Pressure Compliant
UBC: Classified in accordance with Uniform Building Code standard 7-2
 "Fire Test for Door Assemblies"

ANSI/BHMA A156.23: Grade 1, one million cycles
BHMA Certified
CSFM: California State Fire Marshal Listed 3774-0324:100
MEA: City of New York 61-95-E

Finish

Anodized Finishes

- V** Aluminum (standard)
Y Black anodized

Painted Finishes

- C** Brass powder coat
X Dark bronze powder coat

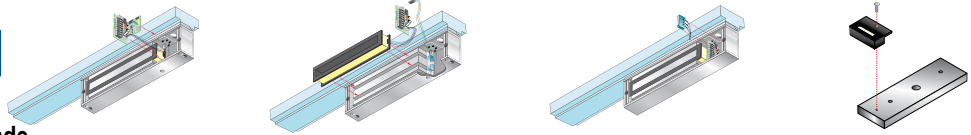
Plated Finishes (special order)

- P** Bright chrome
Q Dull chrome

Options

- T Adjustable Timer:** Built-in field adj. 0-30 sec. re-lock delay. **Specify one for single or double EMLocks®** (not available with 1580 series)
- D Door Position Sensor:** Indicates door open and door closed. **Specify two for double EMLocks®** (not available with 1513 and 1573) SPDT Dry, 250 mA @ 30VDC.
- B Magnetic Bond Sensor:** Indicates locked and unlocked, low holding power, tampering and obstruction between armature and magnetic core. **Specify (2) for double EMLocks®** (Not available with 1513 and 1573)
 • 1510 & 1570 Series: SPDT Dry, 250 mA @ 30VDC. • 1580 Series: SPST N.O., Dry, 250 mA @ 30VDC.
- L Bi-color Status LED Indicator:** Field selectable Red, Green, or Amber (requires additional wiring)
 Indicates lock energized when wired to lock input.
 Indicates de-energized/unlocked or "Enter/Go" when wired to optional timer module.
 Indicates energized and de-energized or "Enter/Go" when wired to access control auxiliary output.
 Indicates door is closed and locked and door is unlocked when wired to BA.
- A Anti-tamper Sensor:** Indicates access cover removal. SPDT Dry, 1 Amp @ 30VDC.

Field Installed Option Kits



Ordered separately for field upgrade

For complete details contact SDC to request the Modular Upgrade Kit datasheet or download from the SDC website: www.sdcsecurity.com/docLibrary.aspx
 All available through shipQuick Inventory

- EZ-T-10 Adjustable Timer Input Module:** Specify (1) for single or double EMLocks® (not available with 1580 series)
- EZ-D-10 1510, 1570 Door Position Sensor Module:** Specify (2) for double EMLocks® (not available with 1513 and 1573)
- EZ-D-80 1580 Door Position Sensor Module:** Specify (2) for double EMLocks®
- EZ-B-10 1510, 1570 Magnetic Bond Sensor Module:** Specify (2) for double EMLocks® (Not available with 1513,1573)
- EZ-B-80 1580 Magnetic Bond Sensor Module:** Specify (2) for double EMLocks®
- EZ-A Anti-Tamper Switch Module:** Indicates cover plate removal.
- EZ-1510W Holding Force Module:** Exchange a 1200lb wire coil (1570 series) with this 1650lb wire coil. Specify (2) for double EMLocks®
- EZ-1570W Energy Saver Module:** Save on power supply and long term energy costs by exchanging 8.4 Watt, 1650lb coil with 3 Watt, 1200lb holding force coil. Specify (2) for double EMLocks®

Top Jamb Mounting Brackets

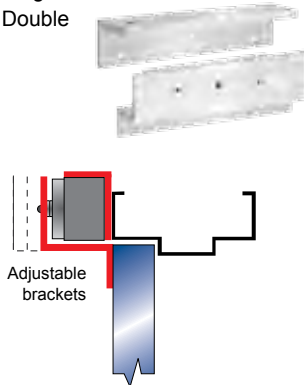
See page 2 for available finish

Kits for 1511, 1512, 1571, 1572 Locks

- TJ1 Single
- TJ2 Double

Kits for 1581, 1582 Locks

- TJ81 Single
- TJ82 Double



Universal Glass Door Mounting Kit

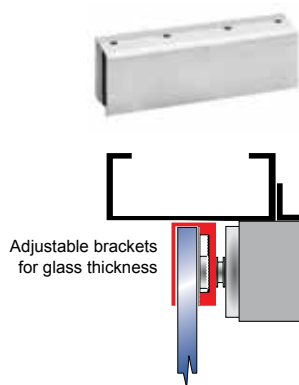
See page 2 for available finish

Kit for 1511, 1571, 1581

HDB1 Single

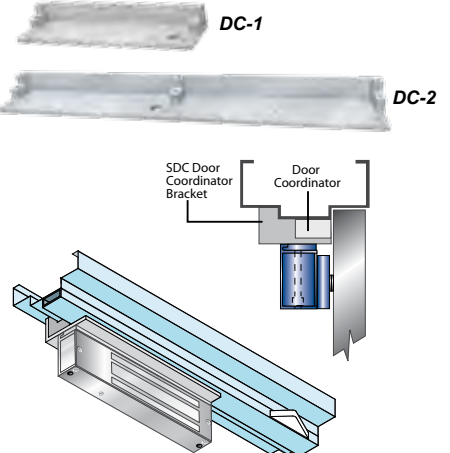
Kit for 1512, 1572, 1582

HDB2 Double, 2 single kits



Door Coordinator Lock Mounting Kit

- DC-1** Door coordinator mounting bracket for single models 1511 and 1571.
- DC-2** Door coordinator mounting bracket for double models 1512 and 1572.



Architectural Housings

Specify housings with your EMLocks®.

Example: 1511V-30; 1512V-60

Full Width Housings - appear as part of the frame to provide a superior architectural appearance.

Compatible with Models: 1511, 1512, 1571, 1572 with or without HDB kits or TJ brackets.

Vertical Housings - Side jamb mount, accommodates two 1571 or two 1511 EMLocks® providing 2400 or 3300 lbs of holding force.

See page 2 for available finish

Single Door Housing

- 30** 30" Lock housing
- 36** 36" Lock housing
- 40** 40" Lock housing
- 48** 48" Lock housing
- CH** Custom length. Specify exact length

Double Door Housing

- 60** 60" Lock housing
- 72** 72" Lock housing
- 84** 84" Lock housing
- 96** 96" Lock housing
- CH** Custom length. Specify exact length

Vertical Housings

- V82** 82" high opening
- CV** Custom length. Specify exact length



Pre-Drill & Tapped Header Bracket

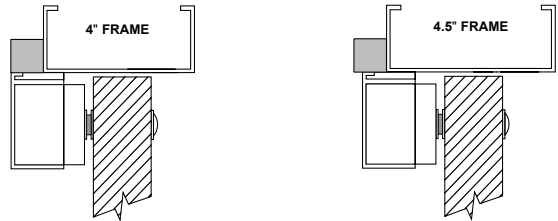
Used in lieu of angle brackets, the Universal Header Bracket provides a faster mounting solution, saving time and labor costs for several EMLock® models. Reduce potential for mis-sized and misaligned mounting holes, broken taps, removal of broken taps. Combined with the interlocking E-Z mount assembly, save up to a full days labor with the installation of 20 locks.

- Solid 1" bar provides higher security and superior aesthetics.
- Machined wire chase provides concealed and secure wiring
- Multiple pre-drilled and tapped mounting holes to accommodate the use of several different locks on either 4" or 4.5" aluminum frames

See page 2 for available finish

UB11 1" x 1" x 11" Universal Bracket for 1511, 1513, 1571, 1573, 1511S, 1511T, 1511DE, 1571DE

UB12 1" x 1" x 22". Universal Bracket for 1512 and 1572.



Spacer Bracket For Concrete Filled Frames & Aluminum Frame With Blade Stop

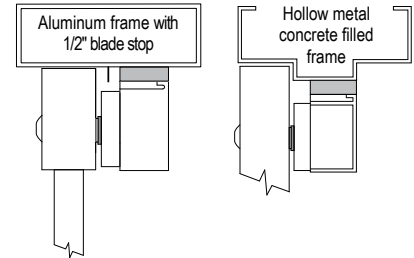
- Aluminum frames with blade stop - lowers EMLock® below blade stop
- Machined wire chase provides multiple points for concealed wire entry from concrete filled frames
- Pre-drilled and tapped specifically for 1510, 1570, and 1580 EmLock
- Aluminum Finish

UF11V 1/2" x 1-1/2" x 11". Spacer Bracket for 1511, 1513, 1571, 1573, 1511S, 1511DE, 1571DE.

UF12V 1/2" x 1-1/2" x 22". Spacer Bracket for 1512 and 1572.

UF81V 1/2" x 1-1/4" x 8-3/4". Spacer Bracket for 1581.

UF82V 1/2" x 1-1/4" x 17-1/2". Spacer Bracket for 1582.



UF11V



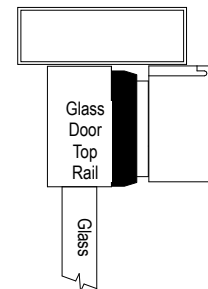
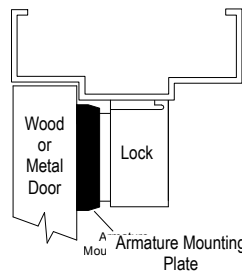
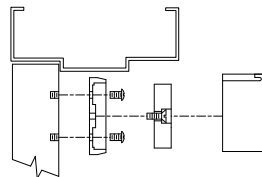
UF81V

Armature Mounting Plate

The AR Mounting plate provides a solution for mounting the EMLock® armature to the top rail of herculite, aluminum and glass, wood and hollow metal doors that do not permit the use of thru bolts. Available in black finish.

AR11Y Armature mounting plate for 1511, 1571. 335 Black Anodized (Specify two for models 1512, 1572)

AR11YD Armature mounting plate with DPS for 1511, 1571. 335 Black Anodized (Specify two for models 1512, 1572)



Filler Plates

For extension of the stop to provide a proper mounting surface on the underside of the header See Figure 1B.



For Extension Of The Stop To Provide A Proper Mounting Surface On The Underside Of The Header See Figure 1b.

For 8-3/4" Single Emlock & Exit Check Models

1581, 1581DE

PART #	A x B
FP01	1/8" x 1-1/4" (3 x 32mm)
FP02	1/4" x 1-1/4" (6 x 32mm)
FP03	3/8" x 1-1/4" (10 x 32mm)
FP04	1/2" x 1-1/4" (13 x 32mm)
FP05	5/8" x 1-1/4" (16 x 32mm)

For 10"-11" Single Emlock & Exit Check Models

1511, 1513, 1571, 1573
1511S, 1511T, 1511DEV, 1571DEV

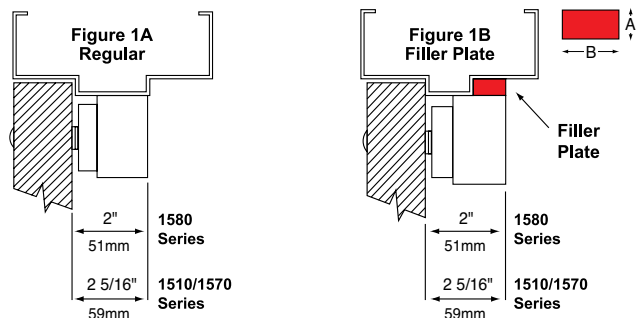
PART #	A x B
FP11	1/8" x 1-1/4" (3 x 32mm)
FP12	1/4" x 1-1/4" (6 x 32mm)
FP13	3/8" x 1-1/4" (10 x 32mm)
FP14	1/2" x 1-1/4" (13 x 32mm)
FP15	5/8" x 1-1/4" (16 x 32mm)

For 17-1/2" (445mm) Double Emlock Model 1582

PART #	A x B
FP30	1/8" x 1-1/4" (3 x 32mm)
FP31	1/4" x 1-1/4" (6 x 32mm)
FP32	3/8" x 1-1/4" (10 x 32mm)
FP33	1/2" x 1-1/4" (13 x 32mm)
FP34	5/8" x 1-1/4" (16 x 32mm)

For 22" (559mm) Double Emlock Models 1512 / 1572

PART #	A x B
FP21	1/8" x 1-1/4" (3 x 32mm)
FP22	1/4" x 1-1/4" (6 x 32mm)
FP23	3/8" x 1-1/4" (10 x 32mm)
FP24	1/2" x 1-1/4" (13 x 32mm)
FP25	5/8" x 1-1/4" (16 x 32mm)



Angle Brackets

Used as extension on shallow door frames to provide adequate mounting surface. See Figure 1C.



Used As Extension On Shallow Door Frames To Provide Adequate Mounting Surface. See Figure 1c.

For 8-3/4" Single Emlock & Exit Check Models

1581, 1581DEV

PART #	A x B
AB01	1" x 1" (25 x 25mm)
AB02	1" x 1-1/2" (25 x 38mm)
AB03	1-1/2" x 1-1/2" (38 x 38mm)
AB04	2" x 1-1/2" (51 x 38mm)

For 10"-11" Single Emlock & Exit Check Models

1511, 1513, 1571, 1573
1511S, 1511T, 1511DEV, 1571DEV

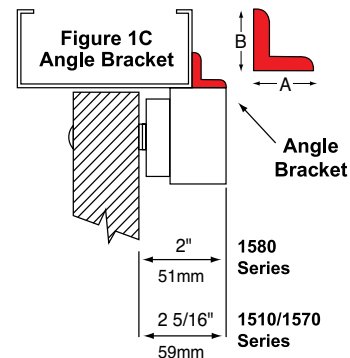
PART #	A x B
AB11	1" x 1" (25 x 25mm)
AB12	1" x 1-1/2" (25 x 38mm)
AB13	1-1/2" x 1-1/2" (38 x 38mm)
AB14	2" x 1-1/2" (51 x 38mm)

For 17-1/2" (445mm) Double Emlock Model 1582

PART #	A x B
AB30	1" x 1" (25 x 25mm)
AB31	1" x 1-1/2" (25 x 38mm)
AB32	1-1/2" x 1-1/2" (38 x 38mm)
AB33	2" x 1-1/2" (51 x 38mm)

For 22" (559mm) Double Emlock Models 1512 / 1572

PART #	A x B
AB21	1" x 1" (25 x 25mm)
AB22	1" x 1-1/2" (25 x 38mm)
AB23	1-1/2" x 1-1/2" (38 x 38mm)
AB24	2" x 1-1/2" (51 x 38mm)



Reusable Heavy Duty Drill Fixture

1511-DF Heavy duty drill fixture for 1571 and 1511

1581-DF Heavy duty drill fixture for 1580



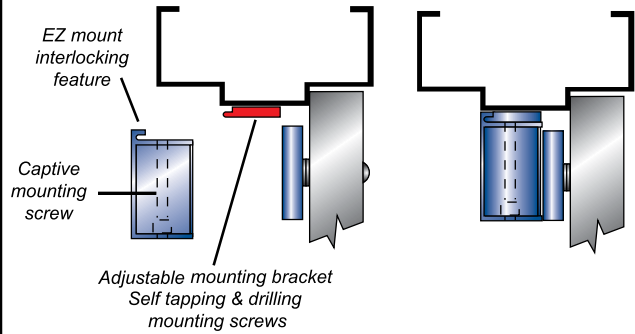
Blind Nut Placement Tool

BN-PT Blind Nut Placement Tool

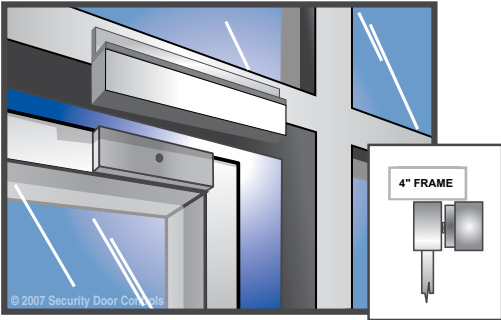
BN-50 Blind Nuts, 10/32, 50 Pack



Interlocking Quick Mount Assembly

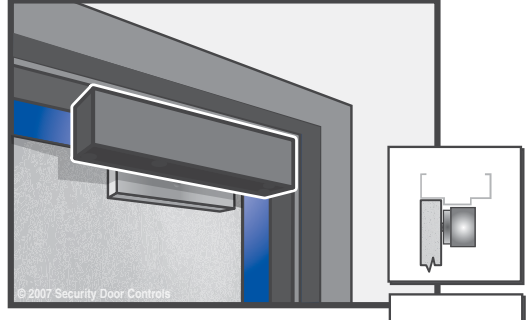


Typical Door Applications



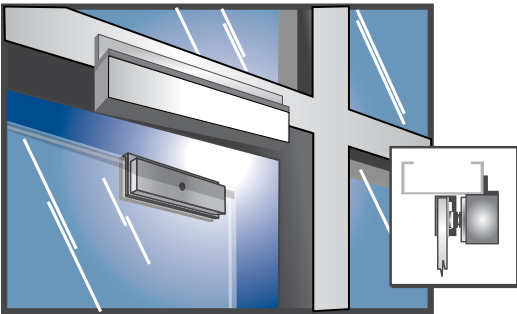
1511 1571 1581

- AB Angle bracket
- Aluminum frame
- Aluminum & glass door
- Push side mounting



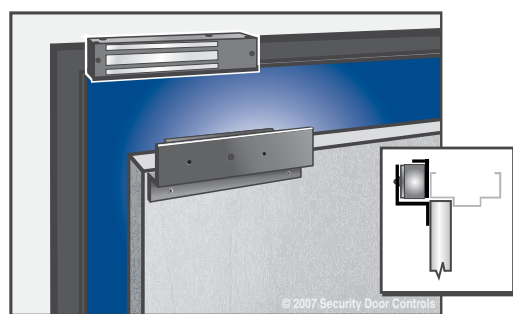
1511 1571 1581

- Hollow metal frame
- Wood/hollow metal door
- Push side mounting



1511-HDB1 1571-HDB1 1581-HDB1

- Glass door mounting kit
- AB series angle brackets
- Metal or aluminum frame
- Glass door w/o top rail
- Push side mounting



1511-TJ1 1571-TJ1 1581-TJ81

- Top jamb mounting kit
- Hollow metal frame
- Wood or hollow metal door
- Pull side mounting



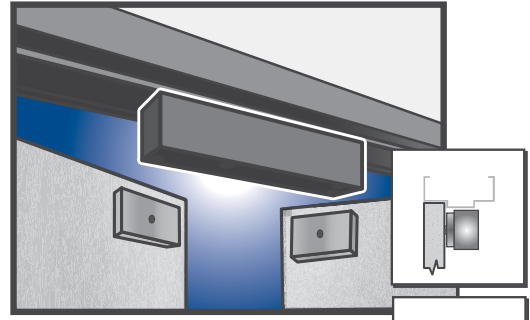
1511-(36) 1571-(36)

- Full width architectural housing
- Specify length (30", 36", 40", 48")
- Aluminum frame
- Aluminum & glass door
- Push side mounting



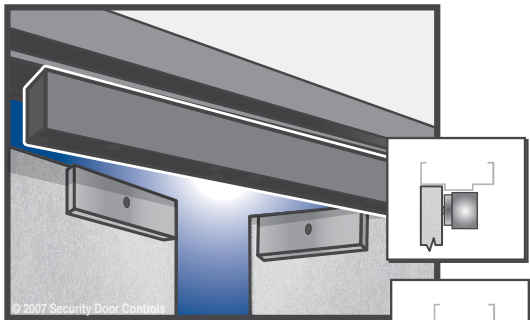
1512 1572 1582

- AB Angle bracket
- Aluminum frame
- Aluminum & glass doors
- Push side mounting



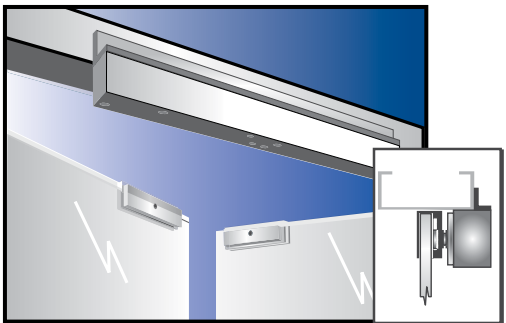
1513 1573

- Split armature
- Hollow metal frame
- Wood or hollow metal doors
- Push side mounting



1512 1572 1582

- Hollow metal frame
- Wood or hollow metal doors
- Push side mounting



1512-HDB2 1572-HDB2 1582-HDB2

- HDB Glass door mounting kit
- AB series angle bracket
- Metal or aluminum frame
- Glass door without top rail
- Push side mounting

COMMUNICATING BATHROOM EMLOCKS®

Application

Single hospital bathroom shared by two patient rooms.

System Operation

Both doors must be closed to lock.

Activating CB401A (B) locks both doors.

Activating CB401A (B) again unlocks both doors.

When doors are locked, activating either CB401B (C) emergency release will unlock both doors.

Both doors will unlock automatically via signal from fire panel.

System Components

- (A) Fail Safe locks with door position switch.
Example: 1511-DPS
- (B) CB401A System activation push switch.
- (C) CB401B Emergency release push switch to be mounted above each door. CB701B key switch optional.
- (D) 631RF-CR Power Supply with Fire Panel Tie-In.

